



|  |  |              |                                      |
|--|--|--------------|--------------------------------------|
|  | <b>Product Information</b><br><b>MS330/1.5</b> | Manufacturer | CNP                                  |
|  |  | Address      | Yuhang District, Hangzhou, Zhejiang, |
| Project Name   |  | Contact      | 86-571-88637351                      |
|  |  | Date         | 2022/03/07                           |
| Item NO  |  | Client Name  | DPA                                  |
|  |  | Client Addr. |                                      |
|  |  | Contacts     | Alireza                              |
|  |  | Contact      |                                      |

|          |            |
|----------|------------|
| Part NO. | 1100055404 |
|----------|------------|

| Product Picture   | Note  |
|---|---|
|  | <p>All stainless steel horizontal single stage not self-priming pump with axial suction, vertical discharge threaded connections.</p> |

|                            |  |
|----------------------------|--|
| <b>technology</b>          |  |
| Pump rotator speed         | 2850                                       |
| <b>Material</b>            |  |
| Impeller                   | 316  |
| Pump body                  | 316  |
| Rubber code                | E  |
| Material Code              | L  |
| <b>Installation</b>        |  |
| Connection Code            | L  |
| Maximum Operation Pressure | 8Bar                                       |
| Maximum Altitude           | 1000m                                      |
| <b>Medium</b>              |  |
| Medium Density             | No more than Clean Water                   |
| Maximum Environment Temper | +40  |
| Liquid Temperature Range   | -10~+85                                    |
| <b>Structure dimension</b> |  |
| Inlet & outlet size types  | DN   |
| Inlet Bore                 | G2   |
| Outlet Diameter            | G1 1/4                                     |
| Rotation Direction         | Anti-clockwise rotation viewing from inlet |
| <b>Motor</b>               |  |
| Number of Motor Phase      | Three Phase                                |
| Protection Class           | IP55                                       |
| Insulation Class           | F  |
| Motor Power                | 1.5  |
| Power Frequency            | 50HZ                                       |
| Rated Voltage (V)          | 220/380V                                   |
| Rated Current (A)          | 6.1/3.5                                    |
| Energy Efficiency Level    | IE2  |
| <b>Seal</b>                |  |
| Mechanical Seal            | MS-14/SBE6                                 |
| <b>Others</b>              |  |
| Weight (kg)                | 20   |



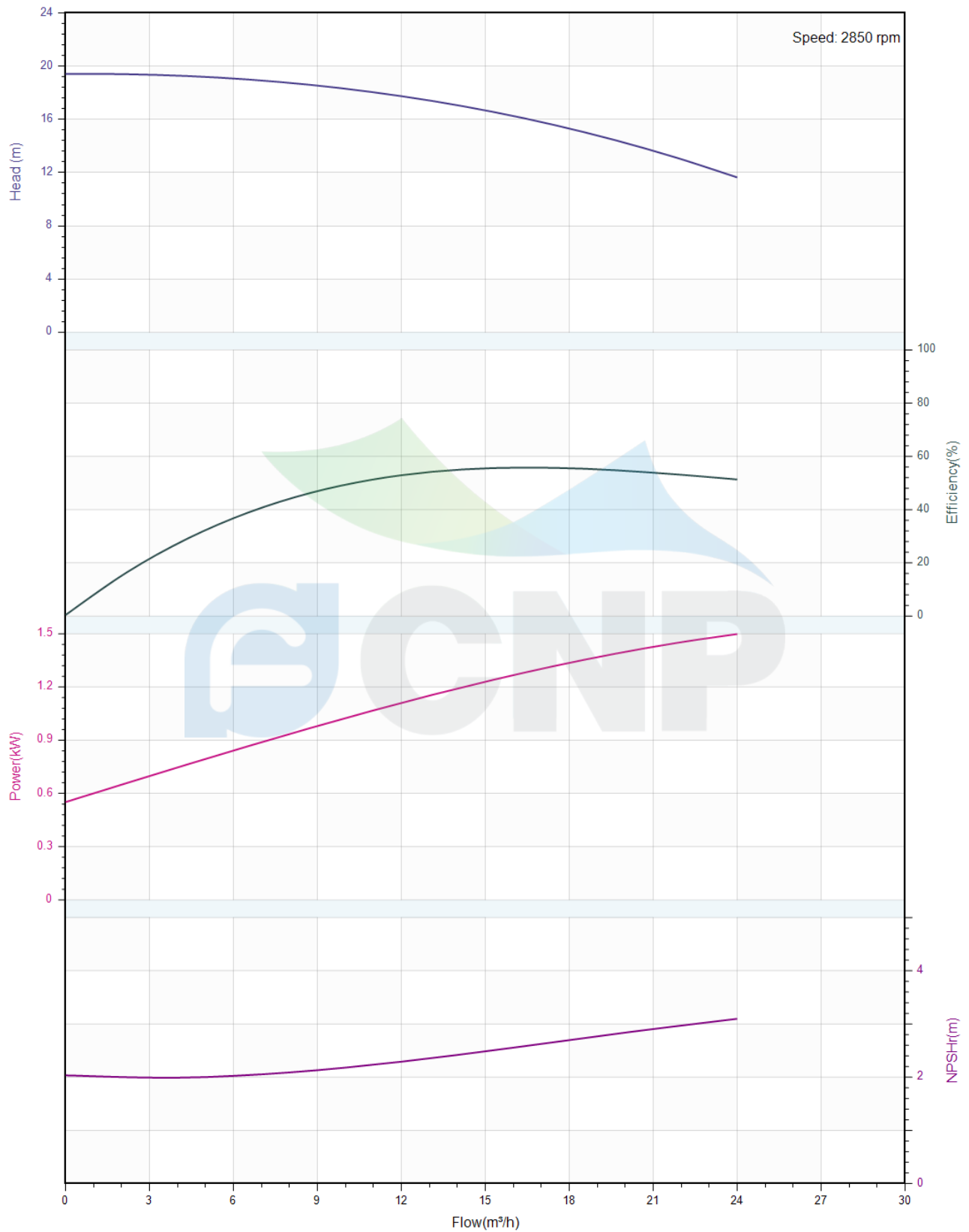
# Performance Curve MS330/1.5

|              |                                      |
|--------------|--------------------------------------|
| Manufacturer | CNP                                  |
| Address      | Yuhang District, Hangzhou, Zhejiang, |
| Contact      | 86-571-88637351                      |
| Date         | 2022/03/07                           |
| Client Name  | DPA                                  |
| Client Addr. |                                      |
| Contacts     | Alireza                              |
| Contact      |                                      |

Project Name

Item NO

The hydraulic performance curve have been tested with Clean Water at 20°C, density 1000kg/m<sup>3</sup>, and at 1bar atmospheric pressure. ISO99062012 Grade 3B





## Pump Technical Parameters MS330/1.5

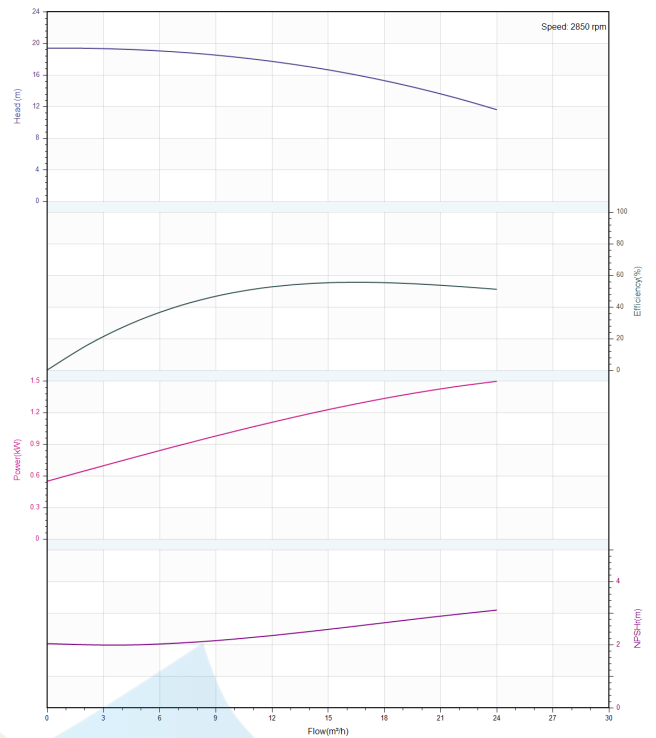
|              |                                      |
|--------------|--------------------------------------|
| Manufacturer | CNP                                  |
| Address      | Yuhang District, Hangzhou, Zhejiang, |
| Contact      | 86-571-88637351                      |
| Date         | 2022/03/07                           |
| Client Name  | DPA                                  |
| Client Addr. |                                      |
| Contacts     | Alireza                              |
| Contact      |                                      |

### Rated parameters

|                                |            |
|--------------------------------|------------|
| Pump model                     | MS330/1.5  |
| Part NO.                       | 1100055404 |
| Rated flow (m <sup>3</sup> /h) | 20         |
| Rated head (m)                 | 14         |
| Rated efficiency (%)           | 56         |
| Power (kW)                     | 1.36       |
| NPSHr (m)                      | 3          |
| Speed (rpm)                    | 2850       |
| Max impeller diameter (mm)     | 132        |

### Medium

|                                     |             |
|-------------------------------------|-------------|
| Pumped medium                       | Clean Water |
| Working temperature (°C)            | 20          |
| Medium density (kg/m <sup>3</sup> ) | 1000        |
| Viscosity (mm <sup>2</sup> /s)      | 1           |



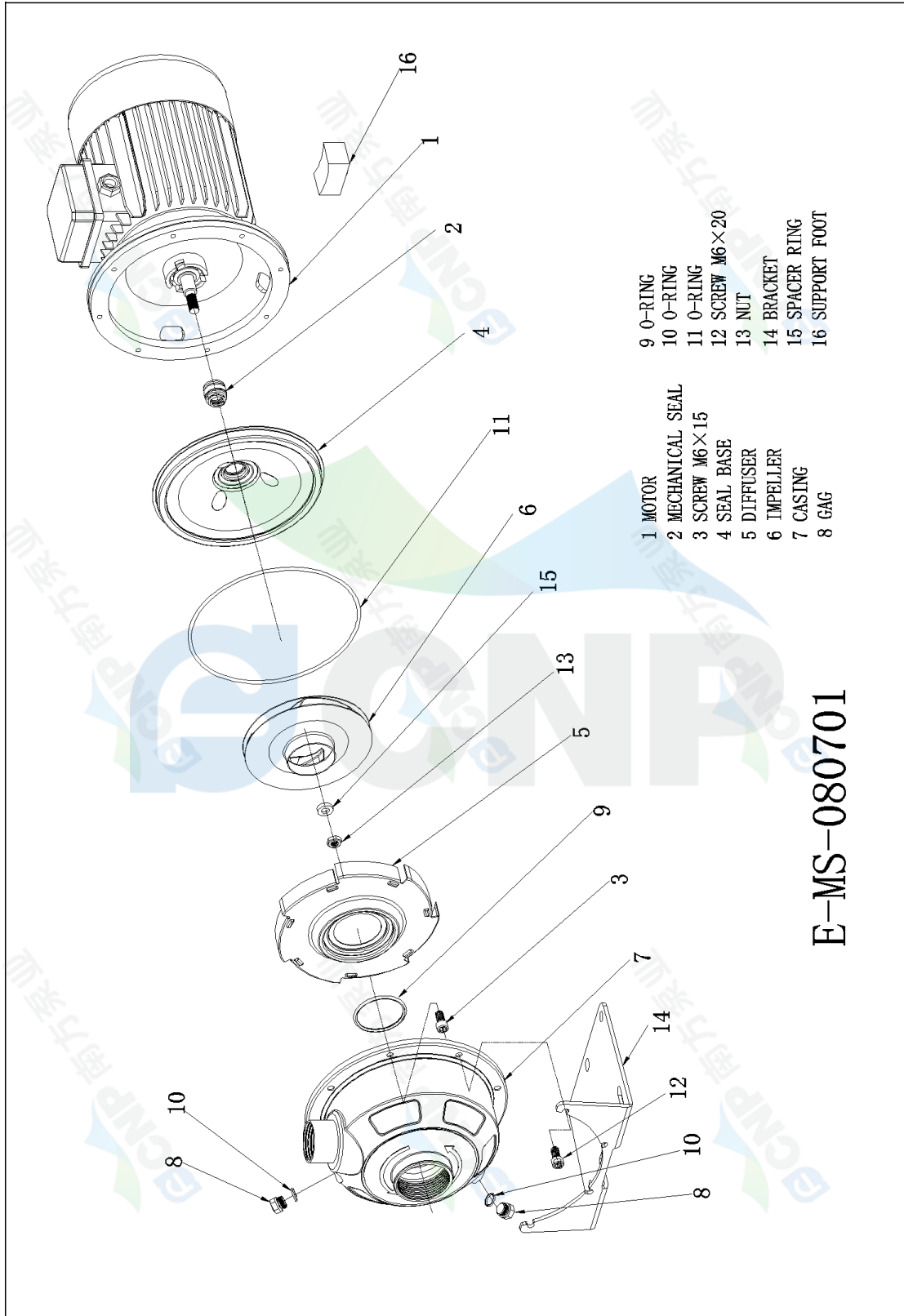


Structure picture  
MS330/1.5

|              |                                      |
|--------------|--------------------------------------|
| Manufacturer | CNP                                  |
| Address      | Yuhang District, Hangzhou, Zhejiang, |
| Contact      | 86-571-88637351                      |
| Date         | 2022/03/07                           |
| Client Name  | DPA                                  |
| Client Addr. |                                      |
| Contacts     | Alireza                              |
| Contact      |                                      |

Project Name

Item NO



E-MS-080701

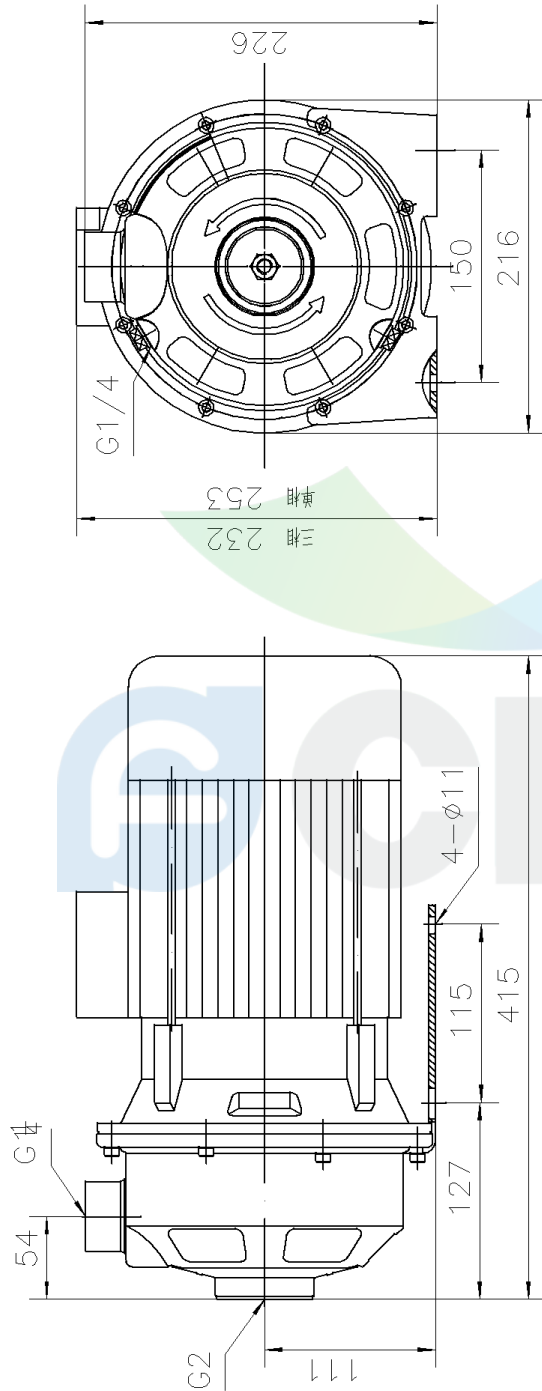


**Dimension Drawing**  
**MS330/1.5**

|              |                                      |
|--------------|--------------------------------------|
| Manufacturer | CNP                                  |
| Address      | Yuhang District, Hangzhou, Zhejiang, |
| Contact      | 86-571-88637351                      |
| Date         | 2022/03/07                           |
| Client Name  | DPA                                  |
| Client Addr. |                                      |
| Contacts     | Alireza                              |
| Contact      |                                      |

Project Name

Item NO



MS330-1.5 MS330-2.2 MSS330-1.5 MSS330-2.2