
	Product Information 80WQ60-11-4(I)	Manufacturer	CNP
		Address	Yuhang District, Hangzhou, Zhejiang,
Project Name		Contact	86-571-88637351
		Date	2022/03/09
Item NO		Client Name	DPA
		Client Addr.	
		Contacts	Alireza
		Contact	

Part NO.	80WQ60-11-4(I)		
Product Picture	Note		
	<p>The sewage submersible pump is composed of two parts: the motor and the pump. The two are separated by an oil chamber and a mechanical seal assembly. Divided into fixed automatic coupling installation and mobile installation</p>		

technology	
Pump rotator speed	1413
Nameplate standards	CE
Material	
Impeller	HT200
Pump shaft	20cr13
Rubber code	P
Pump case	HT200
Installation	
Connection Code	F
Maximum Pressure/Temperatu	6bar/40
Flange Standard	DIN
Pressure Class	PN6
Medium	
Medium Temperature	40
Maximum diameter of partic	55
Maximum Environment Temper	40
Structure dimension	
Standard caliber	DN
Outlet Diameter	DN80
Motor	
Number of Motor Phase	Three Phase
Protection Class	IP68
Insulation Class	F
Motor Power	4
Power Frequency	50HZ
Rated Voltage (V)	380V
Rated Current (A)	8.4
Starting mode	direct boot
Seal	
Mechanical Seal	H-35
Others	
Weight (kg)	53.5



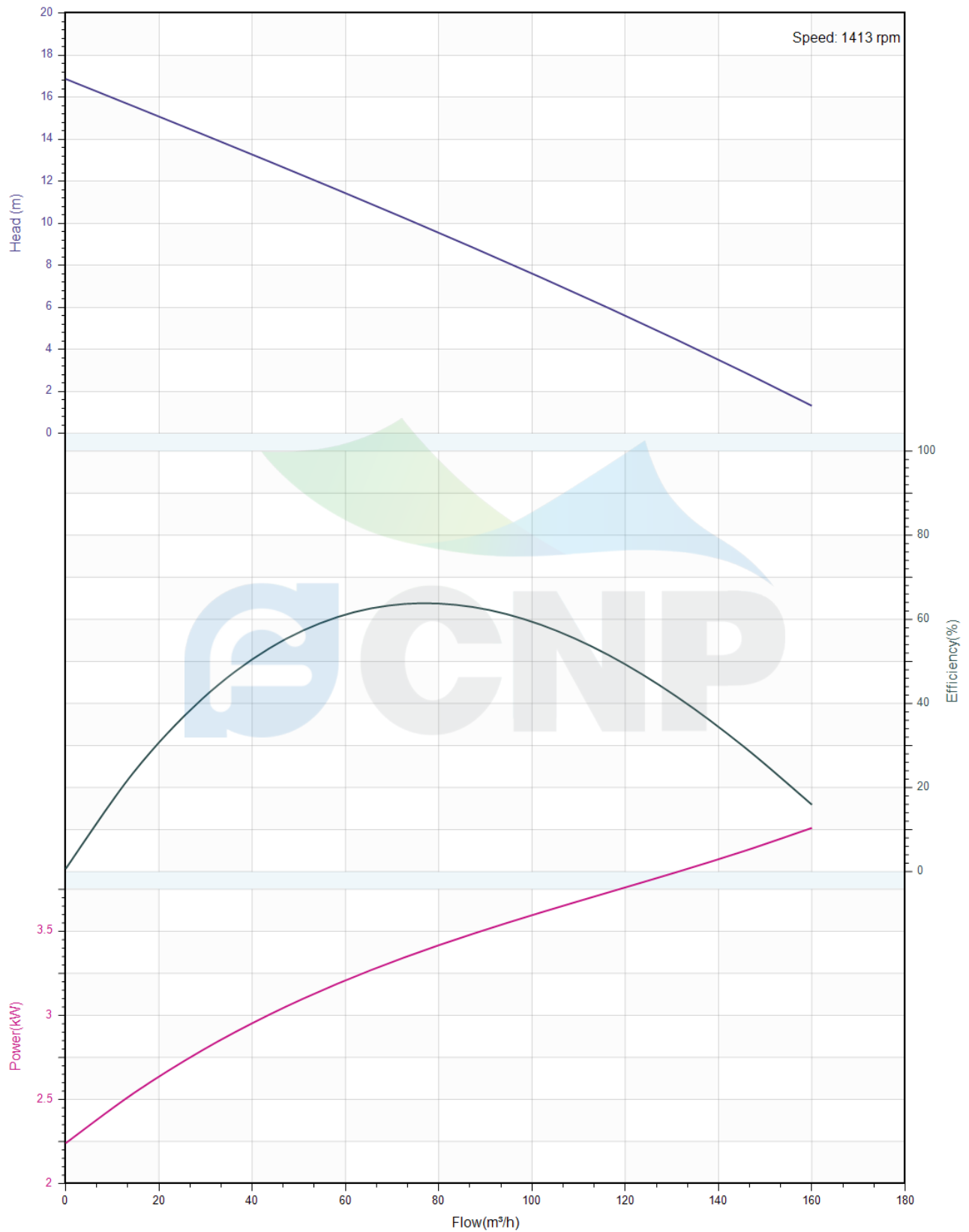
Performance Curve 80WQ60-11-4(I)

Manufacturer	CNP
Address	Yuhang District, Hangzhou, Zhejiang,
Contact	86-571-88637351
Date	2022/03/09
Client Name	DPA
Client Addr.	
Contacts	Alireza
Contact	

Project Name

Item NO

The hydraulic performance curve have been tested with Clean Water at 20°C, density 1000kg/m³, and at 1bar atmospheric pressure. ISO99062012 Grade 3B





Pump Technical Parameters 80WQ60-11-4(I)

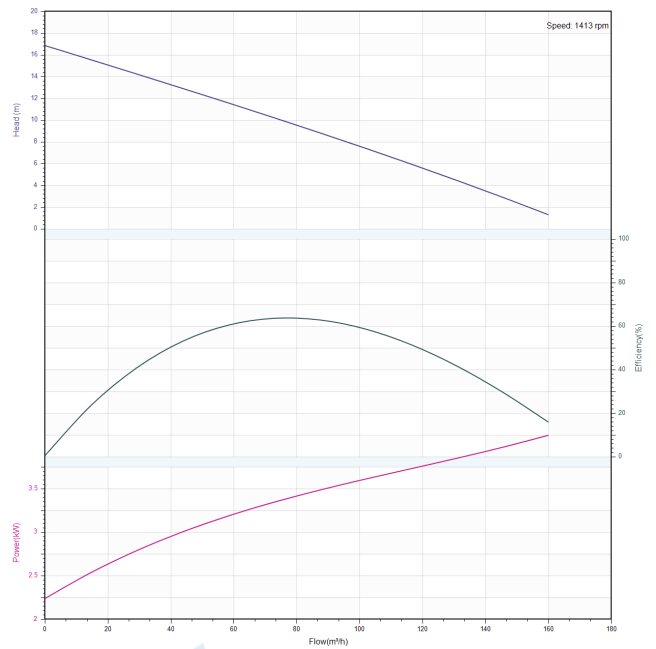
Manufacturer	CNP
Address	Yuhang District, Hangzhou, Zhejiang,
Contact	86-571-88637351
Date	2022/03/09
Client Name	DPA
Client Addr.	
Contacts	Alireza
Contact	


Rated parameters

Pump model	80WQ60-11-4(I)
Part NO.	80WQ60-11-4(I)
Rated flow (m ³ /h)	60
Rated head (m)	11
Rated efficiency (%)	60
Power (kW)	3.22
Speed (rpm)	1413

Medium

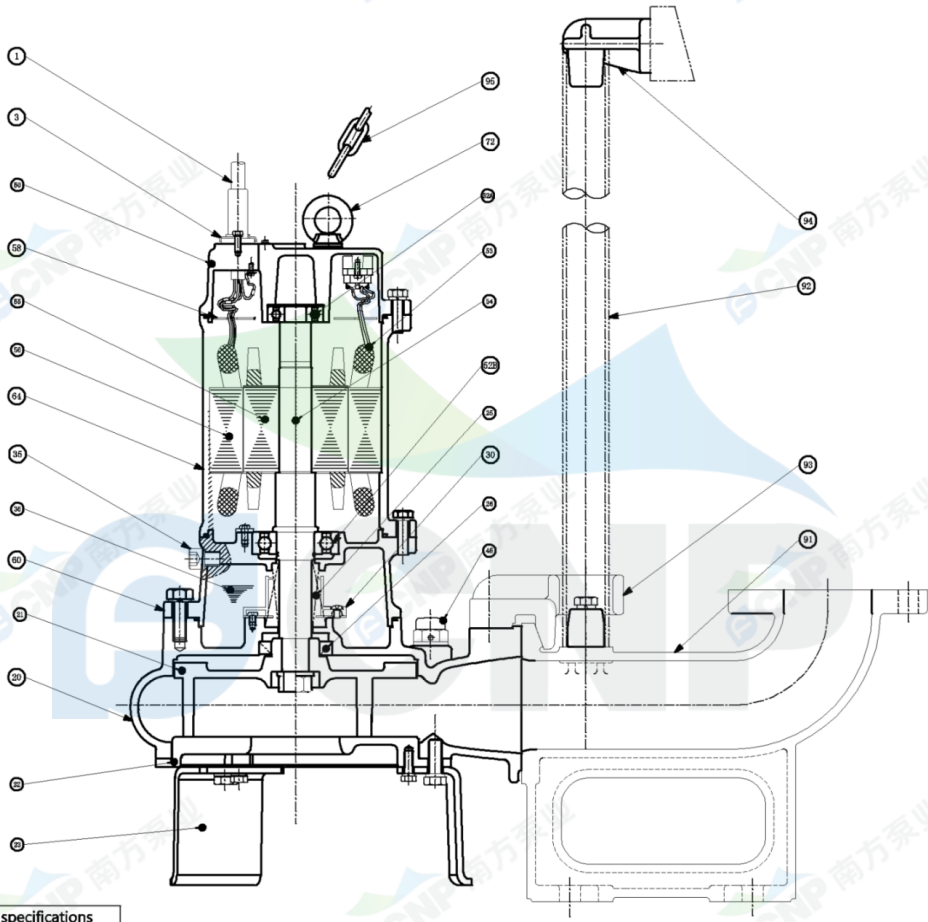
Pumped medium	Clean Water
Working temperature (°C)	20
Medium density (kg/m ³)	1000
Viscosity (mm ² /s)	1



	Structure picture 80WQ60-11-4(I)	Manufacturer	CNP
		Address	Yuhang District, Hangzhou, Zhejiang,
		Contact	86-571-88637351
		Date	2022/03/09
Project Name		Client Name	DPA
Item NO		Client Addr.	
		Contacts	Alireza
		Contact	

CNP Nanfang Zhongjin Environment Co., Ltd.

	SECTIONAL DRAWING	No.	No.
TYPE	submersible sewage pump	MODEL	WQ-2.2/4.0kW



order specifications

No.	names of parts	number	material	No.	names of parts	number	material
1	cable	1	YZW	91	water outlet base	1	HT200
3	cable cover	1	HT200	46	Air release bolt	1	
50	top cover	1	HT200	21	impeller	1	HT200
58	cable transit board	1	Q235	26	framework oil seal	1	NBRI-2
64	base	1	HT200	36	machine oil 32#		
25	mechanical seal	1	Carbon/SIC	52B	lower bearing	2	
30	oil lift	1		56	stator	1	
140	oil filler plug	2	SUS304	55	rotor	1	
60	lower cover	1	HT200	54	shaft	1	
20	casing	1	HT200	53	thermal protector	1	
22	water inlet cover	1	HT200	52A	upper bearing	1	
94	guiding	1	HT200	72	eye bolt	2	45#(forging galvanized)
92	pipe	1	SUS304(unaffiliated)	95	lift chain	1	SUS304
93	guide hook	1	HT200				

Nanfang Zhongjin Environment CO.,LTD. unit : mm



Installation picture

80WQ60-11-4(I)

Manufacturer	CNP
Address	Yuhang District, Hangzhou, Zhejiang,
Contact	86-571-88637351
Date	2022/03/09
Client Name	DPA
Client Addr.	
Contacts	Alireza
Contact	

Project Name

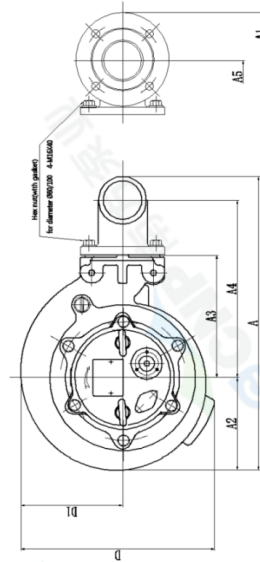
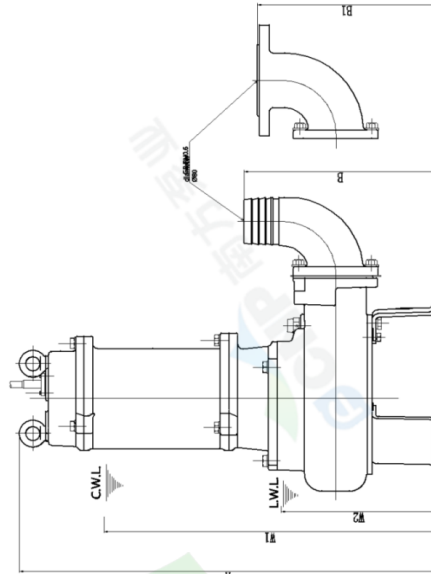
Item NO

CNP Nanfang Zhongjin Environment Co., Ltd.

DIMENSION DRAWING		No.	No.
TYPE		submersible sewage pump	
MODEL		80WQ60-11-4	

MODEL	d	A	A1	A2	A3	A4	A5	B	B1	D	D1	W1	W2	H	Body weight
WQ60-11-4	80	504	566	159	210	305	312	331	308	333	174	570	270	716	70kg

elbow weight	4.5kg
body weight	7.5kg



C.W.L. :minimum water level under continuous operation
L.W.L. :minimum water level under possible operation

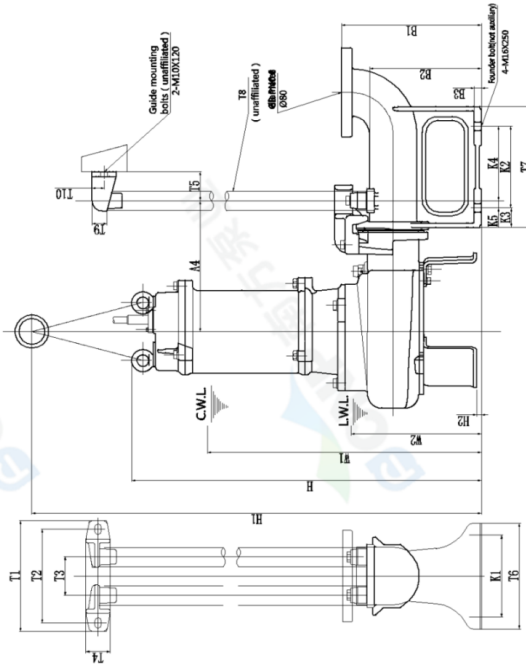
unit : mm

Nanfang Zhongjin Environment CO.,LTD.

CNP Nanfang Zhongjin Environment Co., Ltd.

DIMENSION DRAWING		No.	No.
TYPE		submersible sewage pump	
MODEL		80WQ60-11-4	

MODEL	A	A1	A2	A3	A4	A5	B	B1	D	D1	W1	W2	H	Body weight						
80WQ60-11-4	504	566	159	210	305	312	331	308	333	174	570	270	716	70kg						
80WQ60-11-4	80	250	195	80	50	60	200	250	137/40x1.5	31	25	120	130	40	153	15	200	27	15	33kg



C.W.L. :minimum water level under continuous operation
L.W.L. :minimum water level under possible operation

unit : mm

Nanfang Zhongjin Environment CO.,LTD.